



Force H3X Energy Storage System Quick Start Guide (FH3X-3.6K/5K/6K/8K-HY-1P-5/10/15/20)

Information Version: 1.11
5PMPA08-20017

Pylon Technologies Co., Ltd
No.300, Miaoqiao Road, Kangqiao Town,
Pudong New Area, Shanghai, China

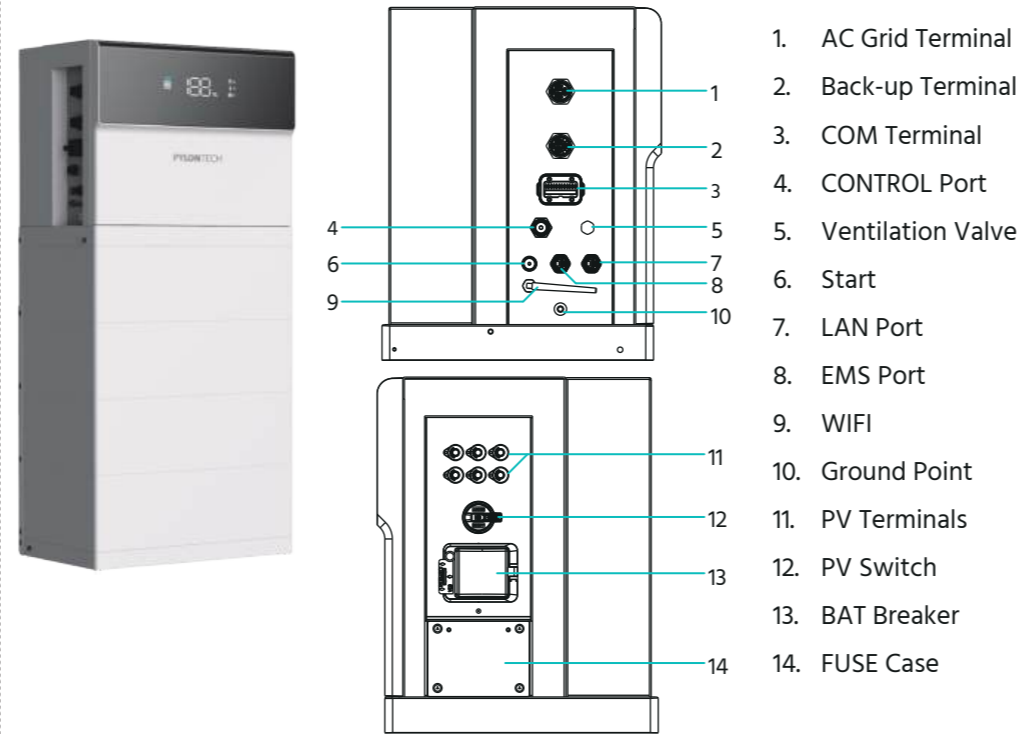
service@pylontech.com.cn
www.pylontech.com.cn
+44-808-501-3666



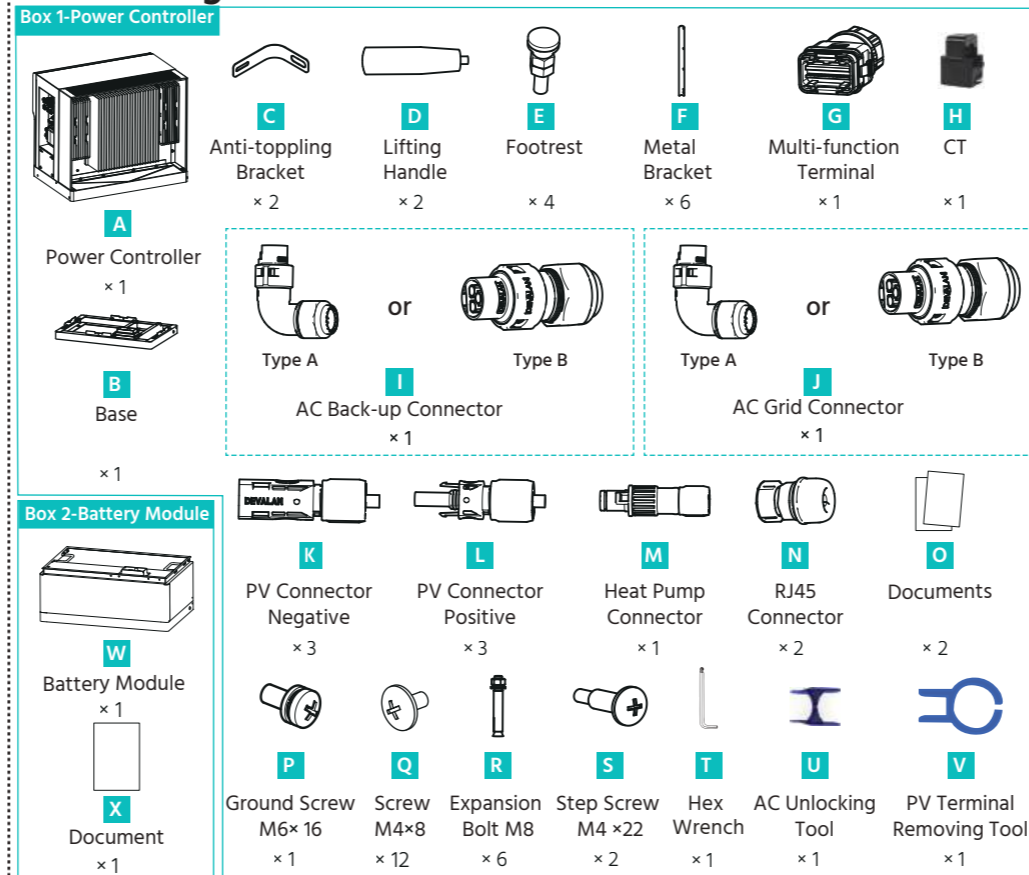
WARNING

Warning: Read the quick guide for product information and safety precautions before installing the product. The personal injury or property damage caused by failure to use the product in accordance with the this document and the user manual is not covered by the product warranty.

01 System Introduction



02 Packing List



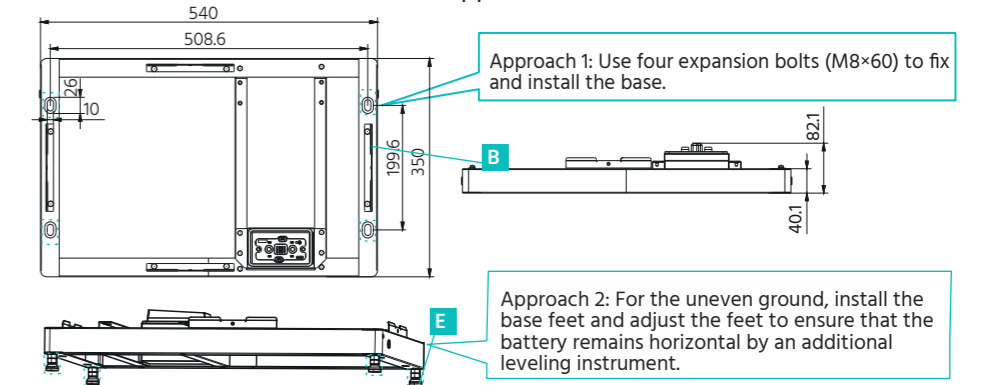
Use properly insulated tools to prevent accidental electric shock or short circuits. If insulated tools are not available, cover the entire exposed metal surfaces with available insulated alternatives, except their tips, with electrical tape.
At least 2 personnel for the installation is recommended.

03 Installation Requirements

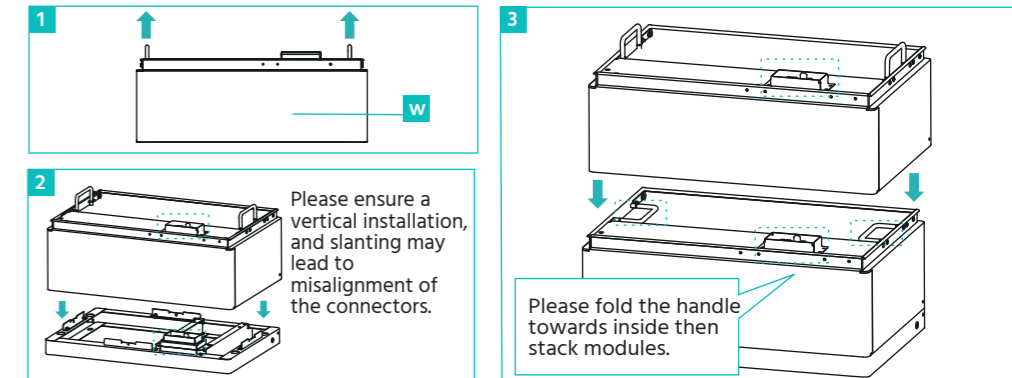
- FH3X system must not be immersed in water. The battery base cannot be exposed to rain or other water sources.
- The support surface should have sufficient load-bearing capacity to support a minimum weight of 300 kg. The system must be installed on a fixed and flat support surface.

04 Base Installation

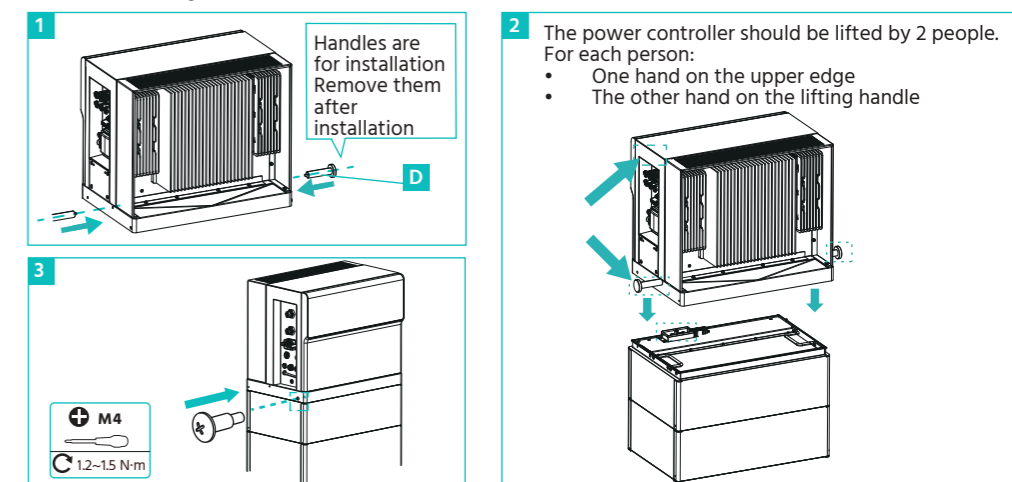
Two approaches available for this installation.



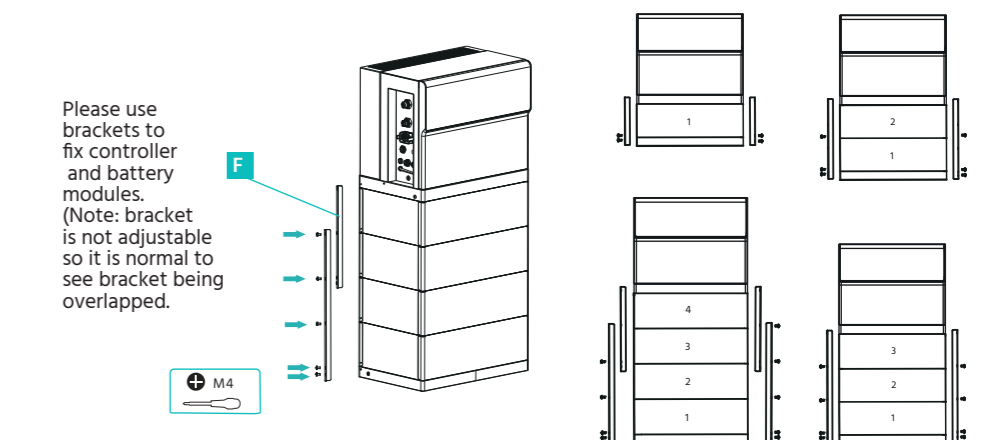
05 Base and Battery Module Installation



06 Battery Module and Power Controller Installation

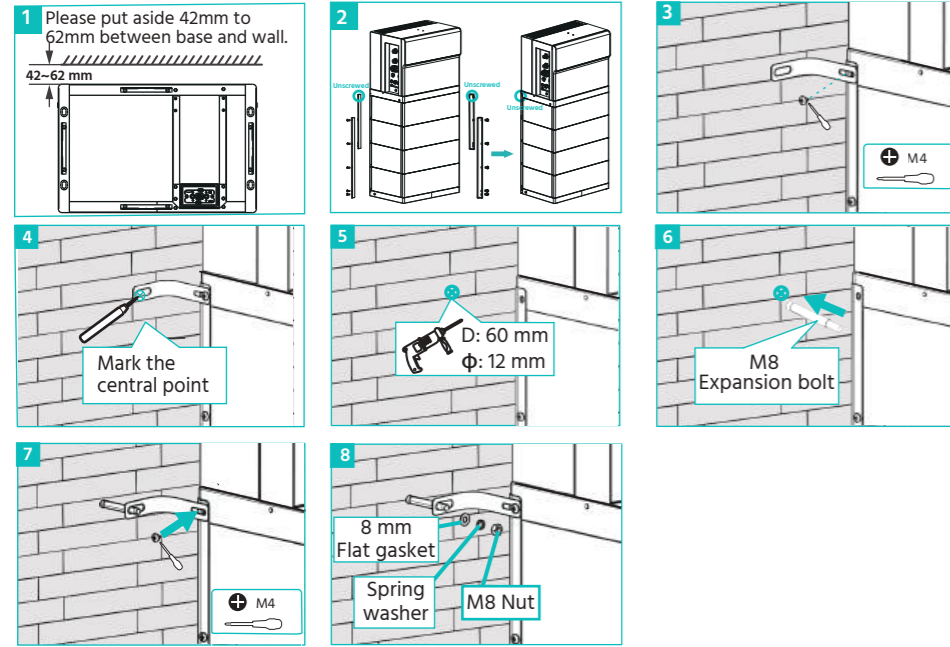


07 Metal Brackets Installation



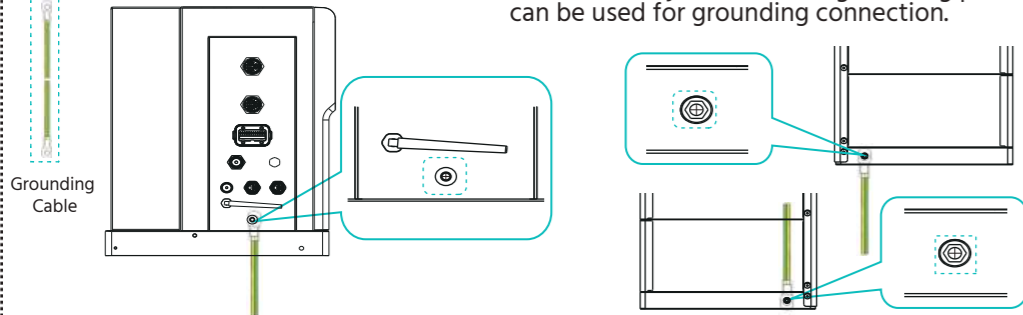
08 Anti-Topping Brackets Installation(Optional)

Please refer to the following steps if there is anti-topping installation:

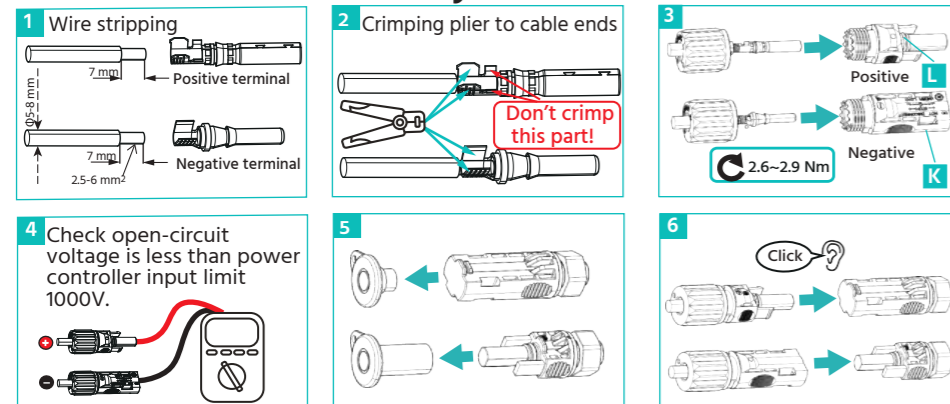


09 Grounding Connection

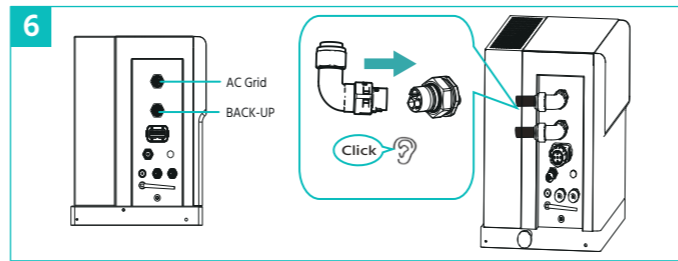
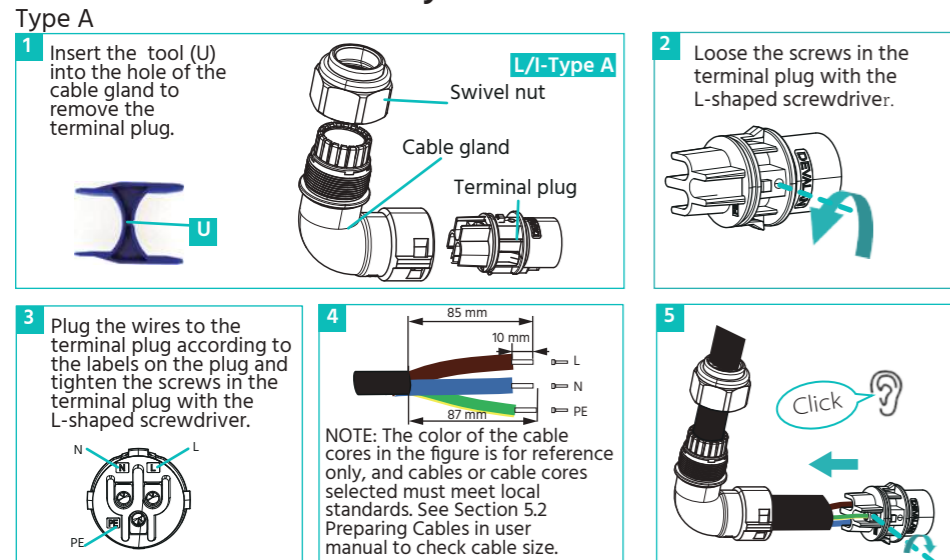
The system modules has 3 grounding points as follows. Any one of these grounding points can be used for grounding connection.



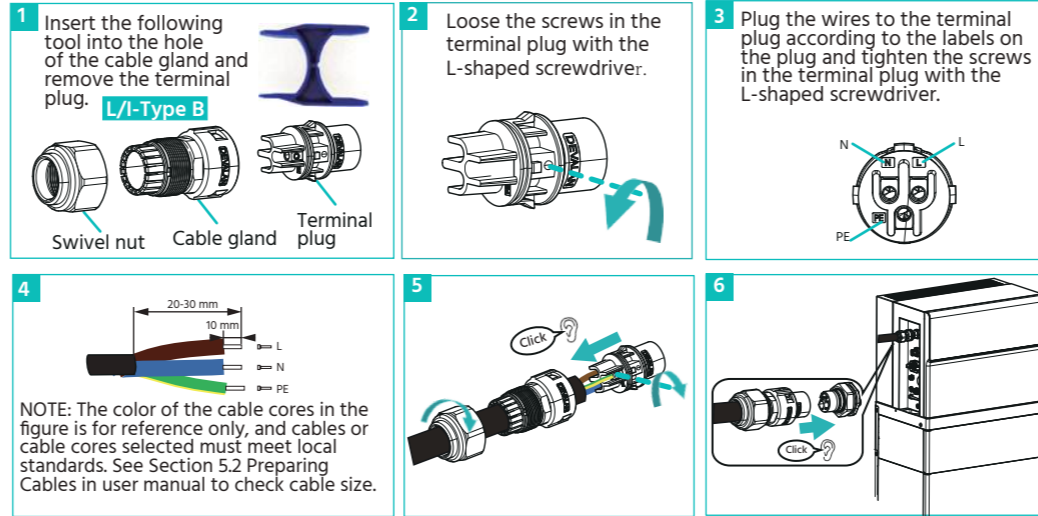
10 PV Connector Assembly and Connection



11 AC Connector Assembly and Connection

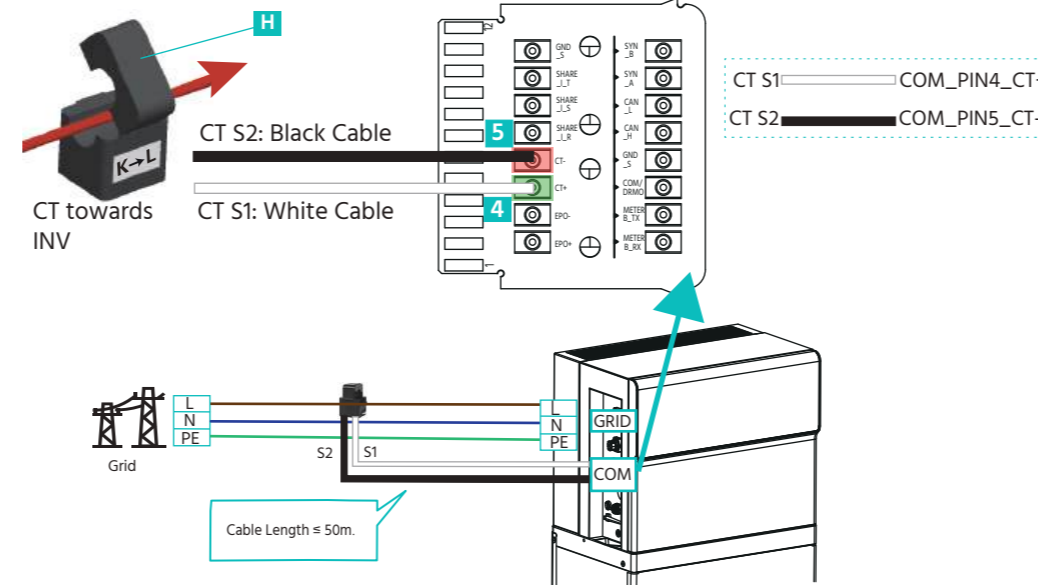


Type B

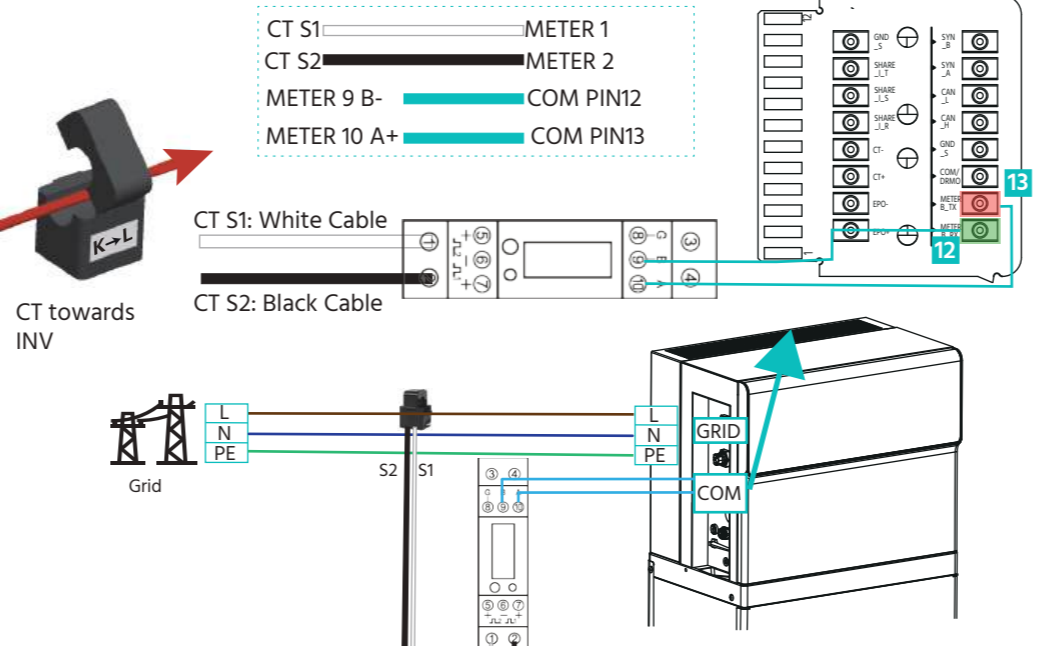


12 CT Connection

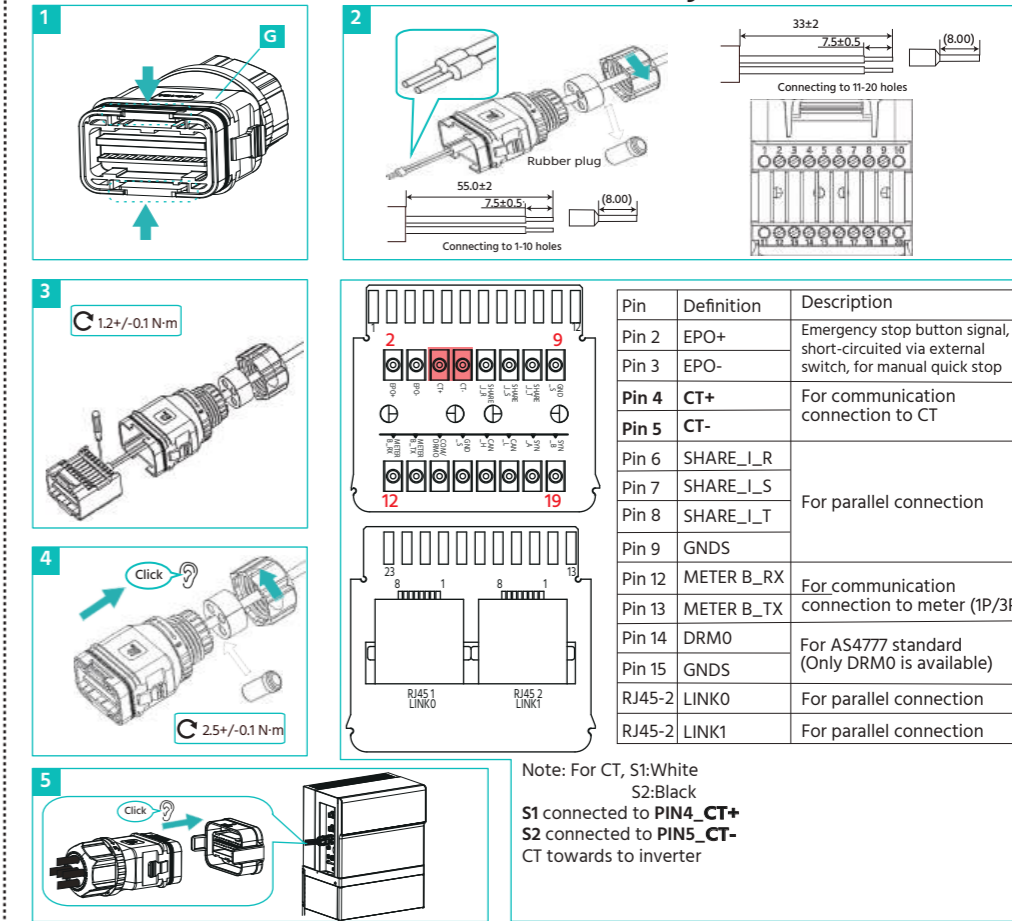
How to connect CT only to the Multi-function terminal (without a Meter)



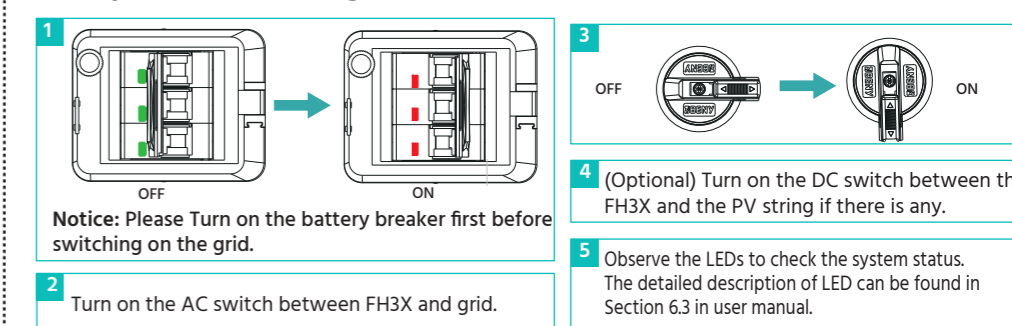
How to connect Meter to the Multi-function terminal (CT need to connect to the Meter)



13 Communication Connector Assembly and Connection



14 System Turning On



15 Download App and Create Plant

